

GV-FE420 4M H.264 Fisheye IP Camera



* GV-FE420 is excluded from Japan, EU and German market.

Introduction

The GV-FE420 is a fisheye camera that allows you to monitor all angles of a location using just one camera. The distorted hemispherical image of the fisheye camera will be converted into the conventional rectilinear projection.

Without installing any software, you can watch live view and utilize functions such as motion detection, privacy mask, and alert notification through the Web interface using an IE browser. In addition, the GV-FE420 seamlessly integrates with the GV-System, providing advanced monitoring and video management features.

The GV-Fisheye IP Camera is designed to be mounted on the ceiling, wall or ground. There are two ways to mount the GV-FE420 on the ceiling, Hard Ceiling Mount and In-Ceiling Mount. In-Ceiling Mount allows the GV-FE420 to be mounted into the ceiling, revealing a small portion of the camera.

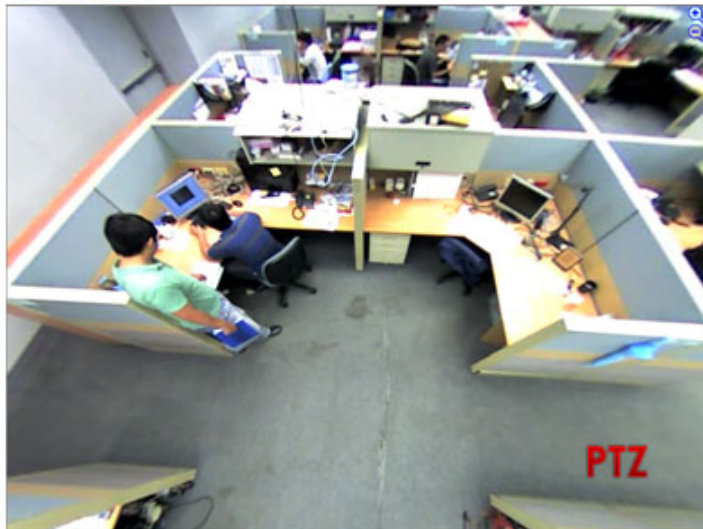
Key Features

- 4M progressive scan CMOS
- H.264 and MJPEG
- Day / Night function
- Provides 360 and 180 degrees panorama view
- No mechanical moving parts
- Built-in Web server for monitoring through IE browser
- Virtual PTZ function
- Auto Pan function
- Different angle of view accessible by multiple users at the same time
- Playback from any view angle and zoom level
- Privacy mask
- Visual automation
- Tampering alarm
- Built-in microphone and speaker
- One sensor input and alarm output
- DC 12V / AC 24V / PoE
- Micro SD
- 16 languages on web interface

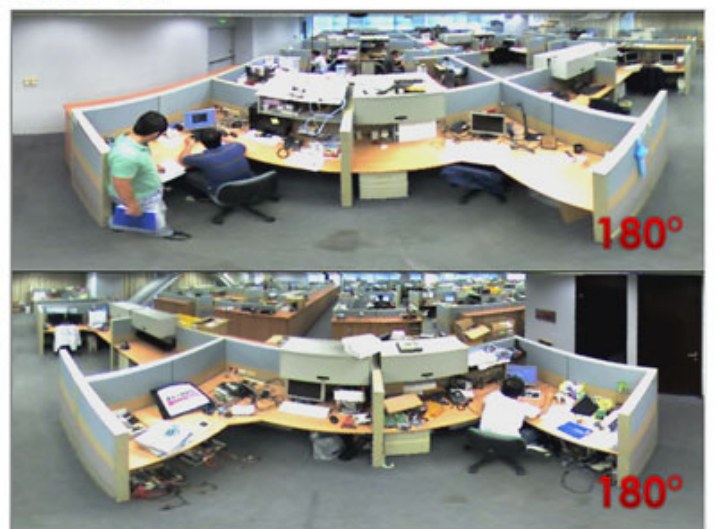
Fisheye Source Image



Single View



2 x 180° View



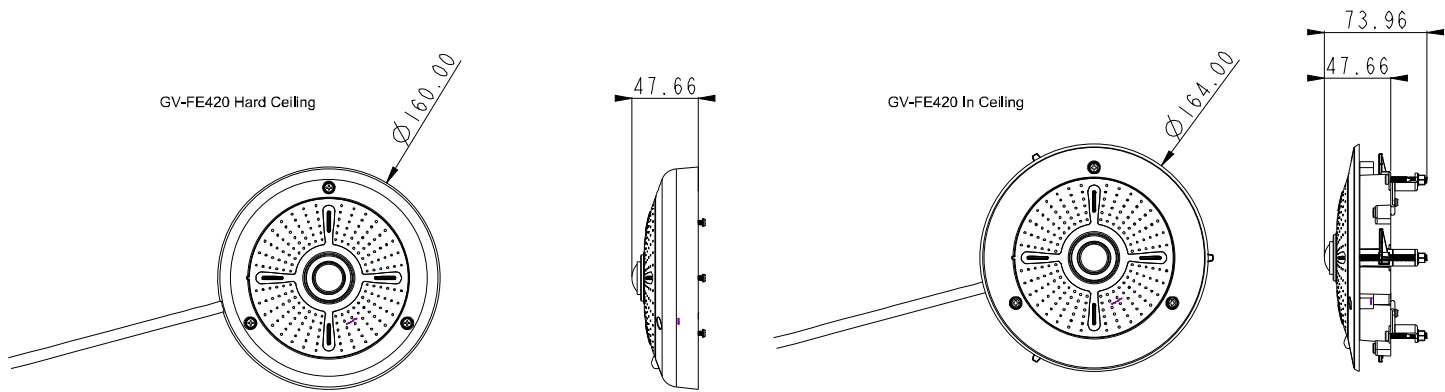
360° View



Quad View



SPECIFICATIONS



System Requirements

OS	64-bit	Windows 7 / Server 2008
GV-System Version		GV-System V8.4.0.0 with patch files
Browser		Internet Explorer 7.x or later

Camera

Image Sensor		1/2.5" progressive scan CMOS
Picture Elements		2048 (H) x 1944 (V)
Minimum Illumination		4 Lux (1/30 sec), 2 Lux (1/5 sec)
Shutter Speed		Automatic, Manual (1/5 - 1/8000 sec)
White Balance		Automatic, Manual (2800K~8500K)

Optics Lens

Megapixel		Yes
Day / Night Support		Yes
Iris		Fixed Iris
Focal Length		1.27 mm
Aperture		F/2.8
Mount		M12, Pitch 0.5 mm
Image Format		1/2"
Angle of View	Diagonal	180°
	Horizontal	180°
	Vertical	180°
Operation	Focus	None
	Zoom	None
	Iris	Fixed

Operation

Video Codec		H.264, MJPEG
Video Resolution		2048 x 1944
Frame Rate		15 fps
Image Setting		Brightness, Contrast, Sharpness, Gamma, White Balance, Flicker-less, Image Orientation, Backlight Compensation
Audio Codec		G.711
Digital Input		1 Input (Dry Contact)
Digital Output		1 output

Network

Interface		10/100 Ethernet
Ethernet Protocol		HTTP, HTTPS, TCP, UDP, SMTP, FTP, DHCP, NTP, UPnP, DynDNS, RTSP, PSIA, SNMP

Mechanical

Connectors	Power	Terminal block (3 pin)
	Ethernet	Ethernet (10/100 Base-T), RJ-45 Connector
	Audio	Built-in microphone and speaker
	Digital I/O	I/O Wire
	Auto Iris	None
	Local Storage	Micro SD/SDHC memory card slot
	TV-Out	None

General	
Operating Temperature	0 °C ~ 50 °C / 32 °F ~ 122 °F
Humidity	10% to 90% (no condensation)
Power Source	12V DC / 24V AC / PoE (IEEE802.3af)
Power Consumption	7.2 W (max. 600mA at 12V DC)
Regulatory	CE, FCC, C-Tick, RoHS compliant
Dimension (L X W X H)	∅ 160 x 47.66 mm / 6.29 x 1.83 in
Weight	650 g / 1.43 lb
Power over Ethernet	
PoE Standard	IEEE 802.3af Power over Ethernet / PSE
PoE Power Supply Type	End-Span
PoE Power Output	Per Port 48V DC, 350mA. Max. 15.4 watts
Web Interface	
Installation Management	Web-based configuration
Maintenance	Firmware upgrade through Web Browser
Access from Web Browser	Camera live view, video recording, change video quality, bandwidth control, image snapshot, digital I/O control, audio, Picture in Picture, Picture and Picture, Privacy Mask, Visual Automation, Tampering Alarm, Auto Pan function, virtual PTZ
Language	Czech / Danish / English / French / German / Hebrew / Hungarian / Italian / Japanese / Polish / Portuguese / Russian / Serbian / Simplified Chinese / Spanish / Traditional Chinese
Applications	
Network Storage	GV-NVR, GV-System
Live Viewing	IE
CMS Server support	GV-Control Center, GV-Center V2, GV-VSM

Note:

1. Specifications are subject to change without notice.
2. Wall mount and ground mount are not supported in all firmware versions.